

McCULLOCH TITAN 7

1	229314	1	79	229434	2	
2	229342	M 5x10	1	80	229435	2
3	229343	1	81	217073	1	
4	235244	M 5x45	2	82	93148	1
5	213420	1	84	229418	1	
6	213411	1	85	92747	1	
7	235612	1	86	213211	1	
8	215455	1	87	•95656	1	
9	Figure 2	1	88	94302	1	
10	213542	1	89	215259	1	
11	229861	M 4x14	3	90	95646	1
12	229633	1	91	213278	1	
13	•83077	1	92	•94243	1	
14	•213257	1	93	•94244	1	
15	••83203	1	94	229367	1	
16	•68497	1	95	235207	1	
17	•110041	1	96	229441	1	
18	229653	M 4x25	4	97	229433	1
19	87851	1	98	229654	M 6x40	1
20	105490	1	99	110989	2	
21	229339	1	100	93057	2	
22	229358	1	101	235642	2	
23	229357	1	102	235239	M 5x20	2
24	229594	1	103	120045	2	
25	229632	1	104	235248	3	
26	229345	1	105	229232	1	
27	•227260	1	106	235612	10	
28	•229743	1	107	236936	2	
29	90869	1	108	216645	1	
30	216157	1	109	229494	1	
31	•94707	1	112	120029	1	
32	222778	"F"	1	113	219990	1
33	•216984	2	114	•219566	1	
34	•216983	2	115	215151	1	
35	•216982	2	116	217168	1	
36	•93469	2	117	93150	1	
37	235919	M 5x40	2	118	229348	1
38	235248	4	119	•229349	1	
39	223707	1	120	•92465	1	
40	•236601	1	121	•236321	1	
41	•229680	1	122	•228122	1	
42	215601	1	123	229350	1	
43	92778	1	124	•229354	1	
44	83859	2	125	229360	1	
45	213282	2	126	•229317	1	
46	102164	1	127	•229318	1	
47	92750	1	128	•229361	1	
48	94135	1	129	•235605	2	
49	•94654	2	130	•229362	1	
50	•110984	1	131	•229363	1	
51	•68095	(20 pz.)	132	•235205	4	
52	94660	1	133	•229225	2	
53	•94136	1	134	••94038	2	
54	•92836	1	135	229284	2	
55	•111026	2	136	229365	1	
56	215943	1	137	229366	1	
57	•92777	1	138	229359	1	
58	214356	1	139	Figure 3	1	
59	120098	1	140	110653	1	
60	235593	1				
61	120097	M 5x25	4			
62	229336	1				
63	•229529	2				
64	•229530	2				
65	•229370	2				
66	•229338	2				
67	•235222	1				
68	229417	1				
69	229861	M 4x14	2			
70	229368	2				
71	229369	2				
72	229438	2				
73	229445	1				
74	229340	M 4x50	1			
75	229355	1				
76	•229356	2				
77	•229655	M 6x45	2			
78	229432	1				

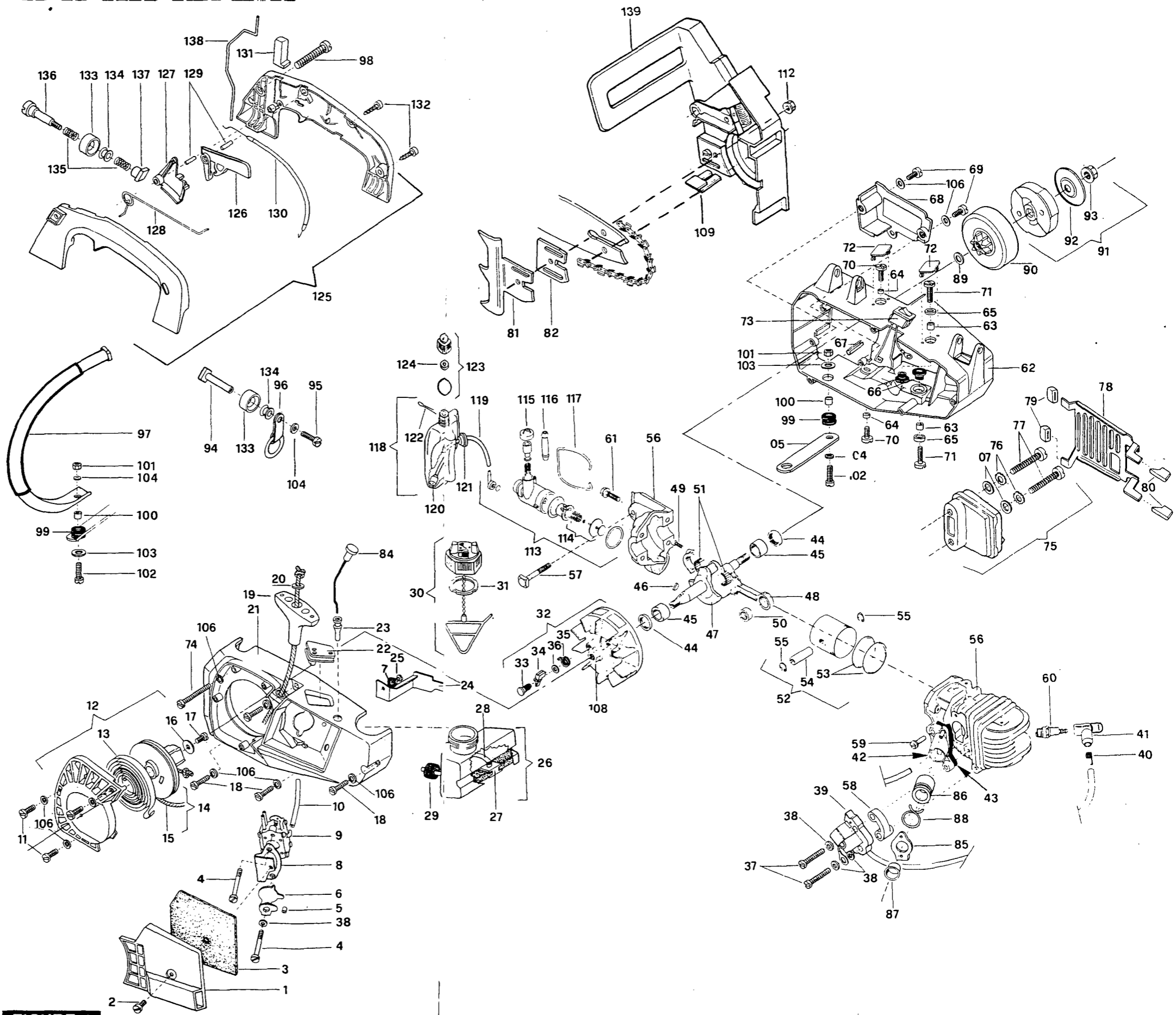
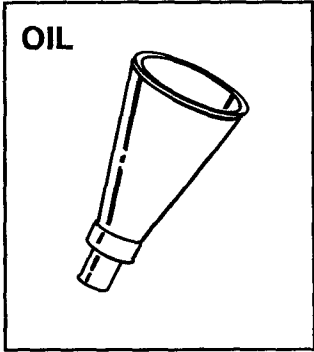
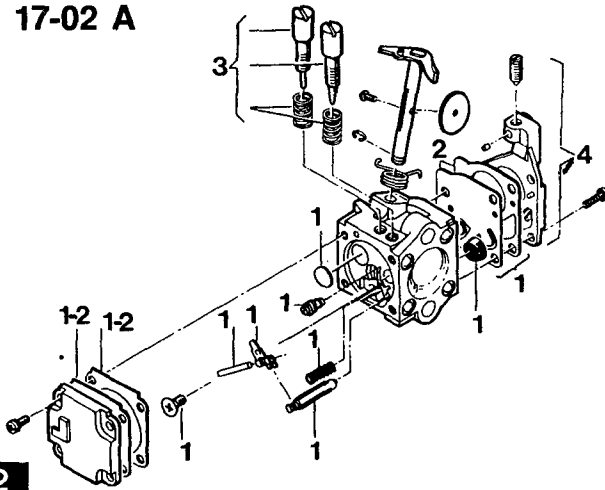


FIGURE 1

ZAMA C1 17-02 A

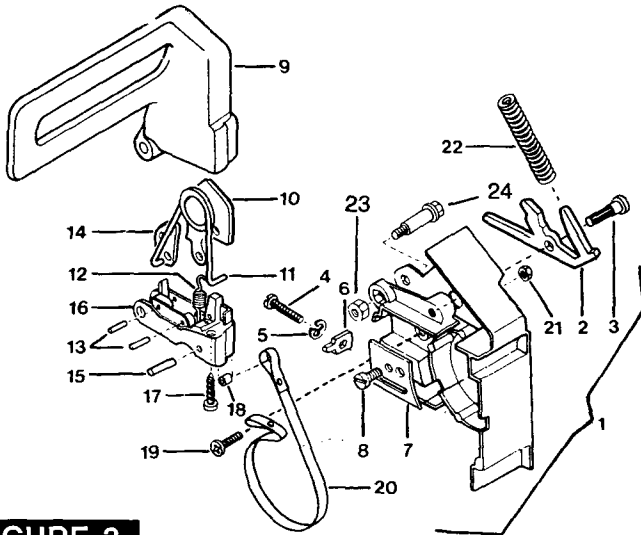


P/N 229667

FIGURE 2

94496	carbur.		
1	217081	1	3 216804 1
2	•217089	1	4 229628 1

225343 ASSY



225336 ASSY

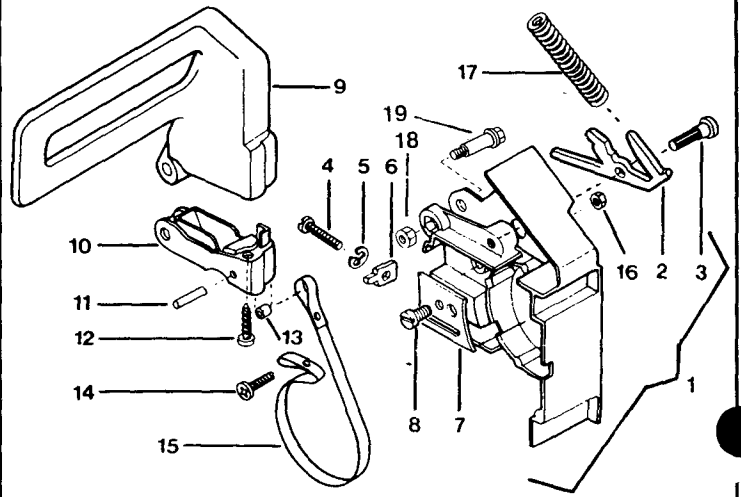


FIGURE 3

1	229352	1	13	235221	2	1	229882	1	13	227805	1
2	•235563	1	14	235558	1	2	•235563	1	14	235812	1
3	•235075	1	15	227803	1	3	•235075	1	15	235073	1
4	•229691	1	16	227802	1	4	•229691	1	16	235216	1
5	•235811	1	17	235205	1	5	•235811	1	17	229740	1
6	•229690	1	18	227805	1	6	•229690	1	18	235912 M6	1
7	•229593	1	19	235812	1	7	•229593	1	19	229134	1
8	•229082	1	20	235073	1	8	•229082	1			
9	229229	1	21	235216	1	9	•229229	1			
10	229230	1	22	229740	1	10	227802	1			
11	235561	1	23	235912 M6	1	11	227803	1			
12	235559	1	24	229134	1	12	235205	1			